



Measurements of TPP Tissue Culture Test Plate

TPP 96-well tissue culture plates have a uniform base area according to the recommendations of the American National Standards Institute (ANSI 1-2004).

Instructions:

Plate Reader / Cell Imaging Systems

TPP tissue culture test plates are compatible with standard absorption plate readers and cell imaging systems. Non-integrated plates can be implemented through the instrument software. Do not use dimensions from other plate manufacturers, as accurate centering of the wells is essential for correct measurement.

Cell Imaging Reader: Proper focus of the integrated microscope depends on the plate bottom thickness (G). Please be sure to enter the data into the software.

Please contact the manufacturer's technical support if you have any questions regarding data implementation. Submit this data sheet with dimensions and technical drawing.

Advice and Recommendations:

TPP tissue culture plates are recommended for measurements >300 nm.

Protein Quantification Assays	Bradford, Lowry, BCA
Cell Viability Assays	MTT, WST, XTT
Microbial Growth Assay	OD 600

TPP does not recommend the use of tissue culture plates for luminescence microscopy.

Absorption measurements:

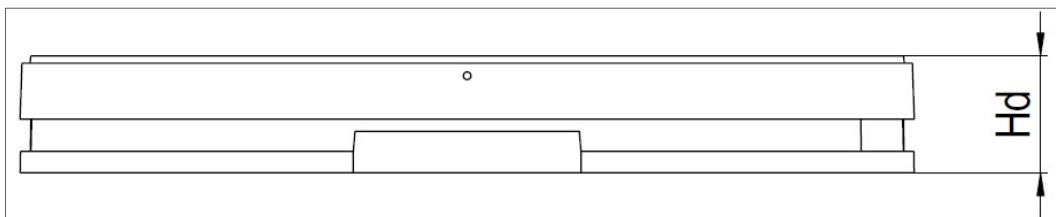
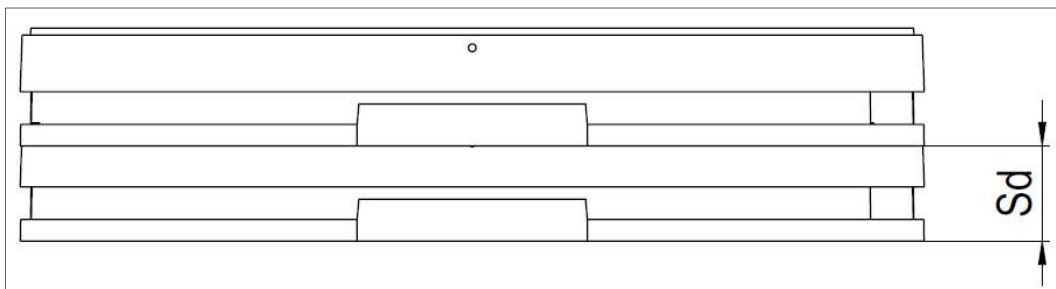
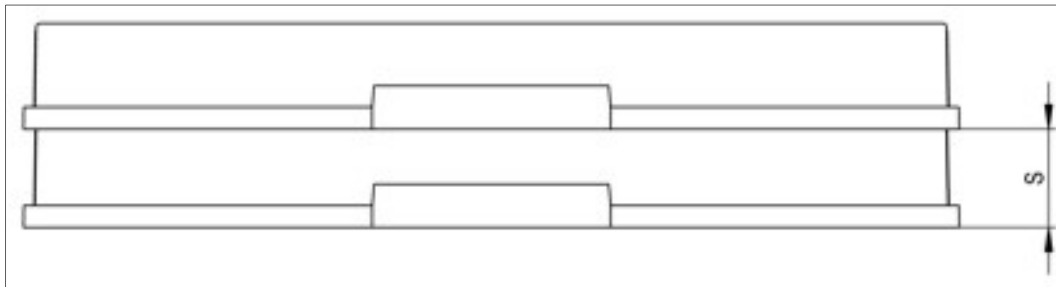
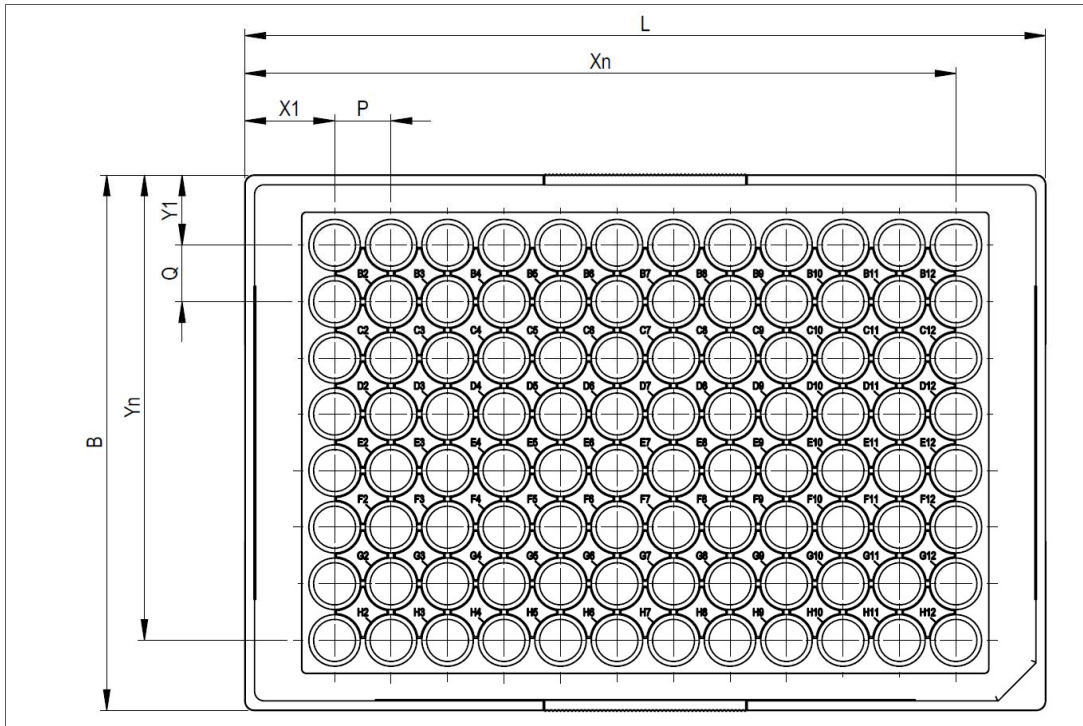
In this method, the measurement is performed through the well.

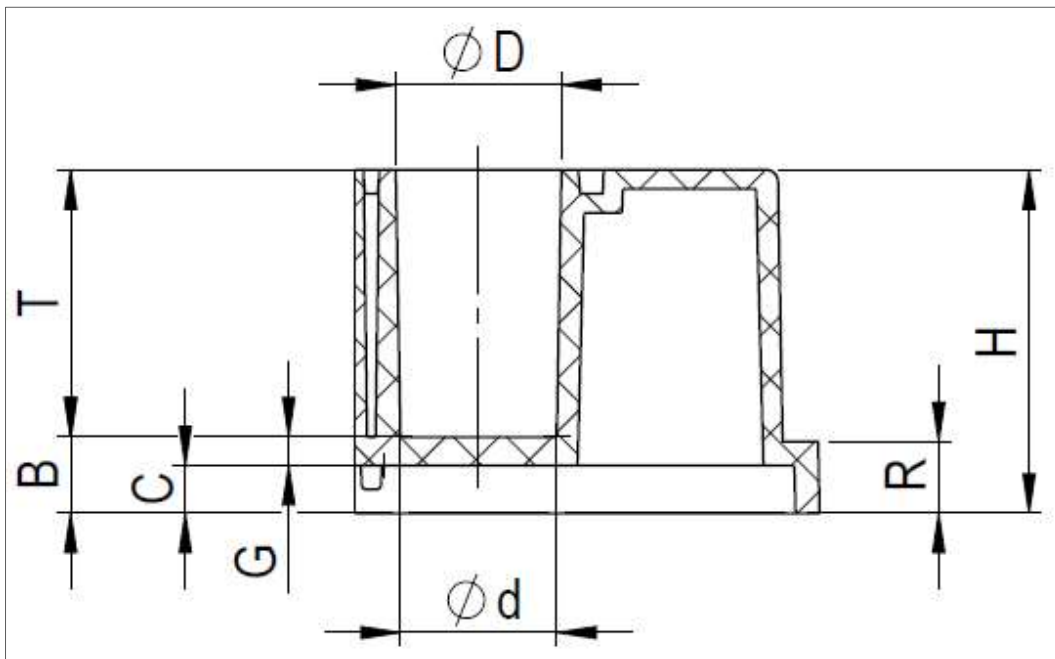
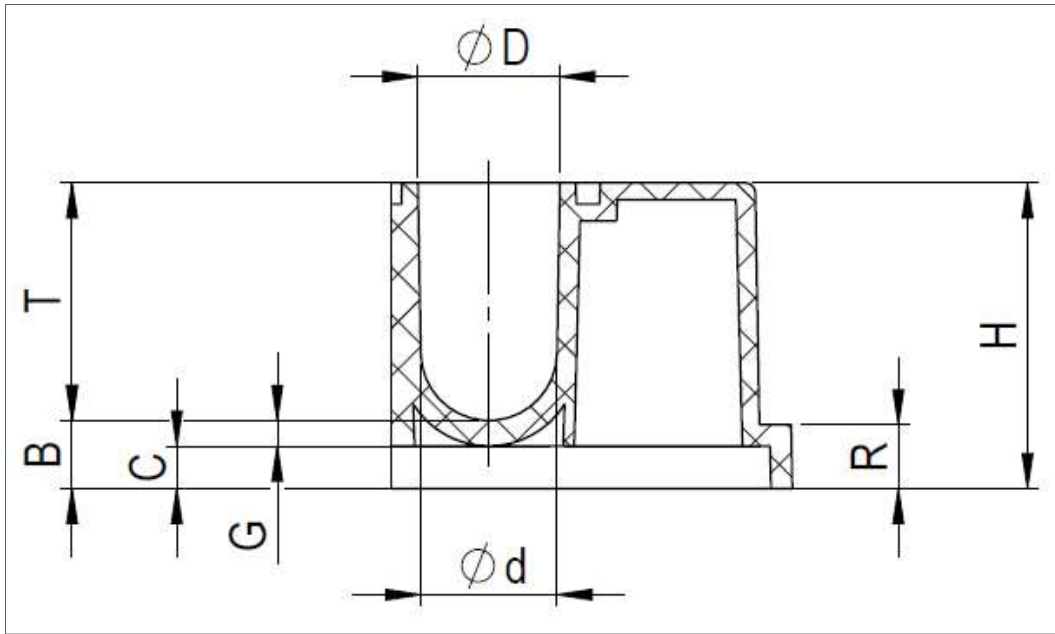
Factors:

Volume of the sample in the well

- Condition of the corrugated bottom (flat, conical etc.)
- Meniscus on the surface.

These factors directly affect the path length the beam travels in the well. Since absorption is a function of the path length, these factors will also affect the results. Therefore, test plates with flat, corrugated bottoms are much better suited for absorption measurements.







	Measurements	92006	92012	92024	92048	92096	92097
	Well mm	6	12	24	48	96	96
L	Length	127.8	127.8	127.8	127.8	127.8	127.8
X1	Left well position	24.4	26.55	15.4	18.4	14.4	14.4
Y1	Upper well position	24.0	17.9	14.85	10.25	11.24	11.24
P	Horizontal distance well to well	37.5	24.9	18.6	13.0	9.0	9.0
Q	Vertical distance well to well	37.5	24.9	18.6	13.0	9.0	9.0
B	Width	85.5	85.5	85.5	85.5	85.5	85.5
Xn	Right well position	99.5	101.25	108.4	109.4	113.4	113.4
Yn	Lower well position	61.5	67.65	70.65	75.25	74.24	74.24

	Plate Height mm						
H	Plate without lid	20.2	20.2	20.2	20.2	14.4	14.4
Hd	Plate with lid	22.4	22.4	22.4	22.4	16.7	16.7
	Tolerance	±0.1	±0.1	±0.1	±0.1	±0.1	±0.1
S	Stack height without cover	19.2	19.2	19.2	19.2	13.4	13.4
Sd	Stack height with cover	21.4	21.4	21.4	21.4	15.7	15.7
R	Skirt	8.8	8.8	8.8	8.8	3.0	3.0
G	Thickness bottom	1.35	1.5	1.35	1.35	1.2	1.2

	Well Geometry mm						
∅D	Diameter top	34.5	22.2	16.2	11.2	6.9	6.7
∅d	Diameter ground	33.9	21.0	15.4	10.6	6.6	6.4
T	Depth	17.2	16.95	17.1	17.1	11.1	11.1
B	Bottom from plate ground	3.1	3.25	3.1	3.1	3.3	3.3
C	Distance bottom side well to plate support	1.75	1.75	1.75	1.75	2.1	2.1

	Additional Details						
	Bottom form:	Flat	Flat	Flat	Flat	Flat	Round
	Working volume mL	15.53	5.96	3.18	1.49	0.36	0.30
	Max volume mL	15.70	6.33	3.34	1.62	0.40	0.34
	Growth area cm ²	9.026	3.466	1.864	0.875	0.322	0.636

Additional:

Instructions for use, chemical resistance lists, and quality certificates of the respective products are available for download on the homepage www.tpp.ch.